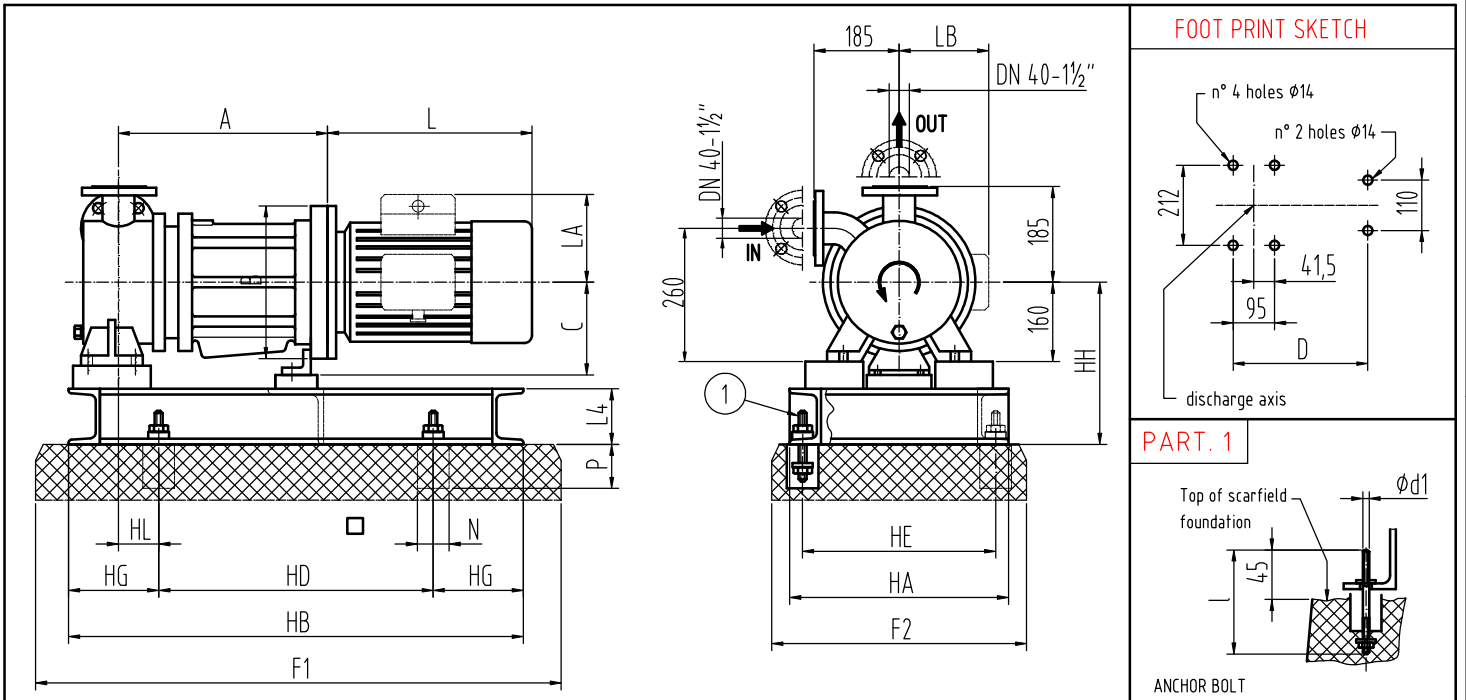



all dimensions in mm.



| PUMP | | | | | | FLANGES DIN 2634 - PN 25 | | FLANGES ANSI B 16.5 - 300 Lb RF | |
|------------|-------|-------|------|-------|-----------------------------|--------------------------|--|---------------------------------|--|
| MOTOR SIZE | A | B (φ) | C | D | WEIGHT (kg) (without motor) | SUCTION - DISCHARGE | | SUCTION - DISCHARGE | |
| 132 | 292 | 300 | 180 | 280 | 85 | n° 4 holes Ø18 | | n° 4 holes Ø22 | |
| 160/180 | 322 | 350 | | | | DN 40 | | DN 1 1/2" | |
| 256C | 12.67 | 11.03 | 7.08 | 11.02 | | 110 | | 114,3 | |
| | | | | | | 150 | | 156 | |

NEMA motor dimensions are in inches

| MOTOR | OUTPUT MAX. (kW) | | SHAFT Ød | H | L | LA | LB | WEIGHT (kg) | BASEPLATE | | | | | | | FOUNDATION | | | | BOLTS Ød1 x l | | | | |
|-------|------------------|------|----------|---|---|----|----|-------------|--------------|-------|-------|------|------|-------|-------|------------|----------|-------|-------------|---------------|-------|------|------|-----------|
| | 2P | 4P | | | | | | | BASEPLATE N° | HB | HD | HG | HL | HE | HA | L4 | N° BOLTS | HH | WEIGHT (kg) | | F1 | F2 | □ | N |
| 132 S | 5,5 | 5,5 | 38 | - | | | | | 07 | 700 | 480 | 110 | 29 | 360 | 400 | 80 | 4 | 280 | 27 | 850 | 550 | 120 | 250 | M16 x 270 |
| | 7,5 | | | | | | | | | | | | | | | | | | | | | | | |
| 132 M | 9,2 | 11,0 | 38 | - | | | | | 07 | 700 | 480 | 110 | 29 | 360 | 400 | 80 | 4 | 280 | 27 | 850 | 550 | 120 | 250 | M16 x 270 |
| | 7,5 | | | | | | | | | | | | | | | | | | | | | | | |
| 160 M | 11,0 | 11,0 | 42 | - | | | | | 07 | 700 | 480 | 110 | 29 | 360 | 400 | 80 | 4 | 280 | 27 | 850 | 550 | 120 | 250 | M16 x 270 |
| | 15,0 | | | | | | | | | | | | | | | | | | | | | | | |
| 160 L | 18,5 | 15,0 | 42 | - | | | | | 07 | 700 | 480 | 110 | 29 | 360 | 400 | 80 | 4 | 280 | 27 | 850 | 550 | 120 | 250 | M16 x 270 |
| 180 M | 22,0 | 18,5 | 48 | - | | | | | 07 | 700 | 480 | 110 | 29 | 360 | 400 | 80 | 4 | 280 | 27 | 850 | 550 | 120 | 250 | M16 x 270 |
| 180 L | - | 22,0 | 48 | - | | | | | 07 | 700 | 480 | 110 | 29 | 360 | 400 | 80 | 4 | 280 | 27 | 850 | 550 | 120 | 250 | M16 x 270 |
| 256C | 20HP | - | 1.406 | - | | | | | 07 | 700 | 480 | 110 | 29 | 360 | 400 | 80 | 4 | 280 | 27 | 850 | 550 | 120 | 250 | M16 x 270 |
| | | | | | | | | | 07 | 27.55 | 18.89 | 4.33 | 1.14 | 14.17 | 15.74 | 3.14 | | 11.02 | | 33.46 | 21.65 | 4.72 | 9.84 | |

| | | |
|---|--------------------|------------|
|  <p>MARCH PUMPEN GmbH & Co.KG Rathenaustraße 2 D-35394 Gießen www.march-pumpen.com info@march-pumpen.com</p> | Baureihe / Series: | MTA |
| | Typ / Type: | MTA 2020 |
| | Motor: | 2900 1/min |